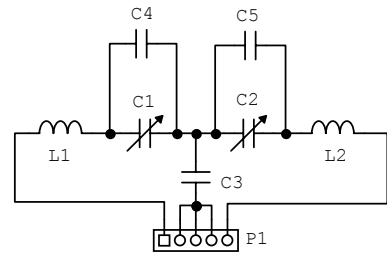
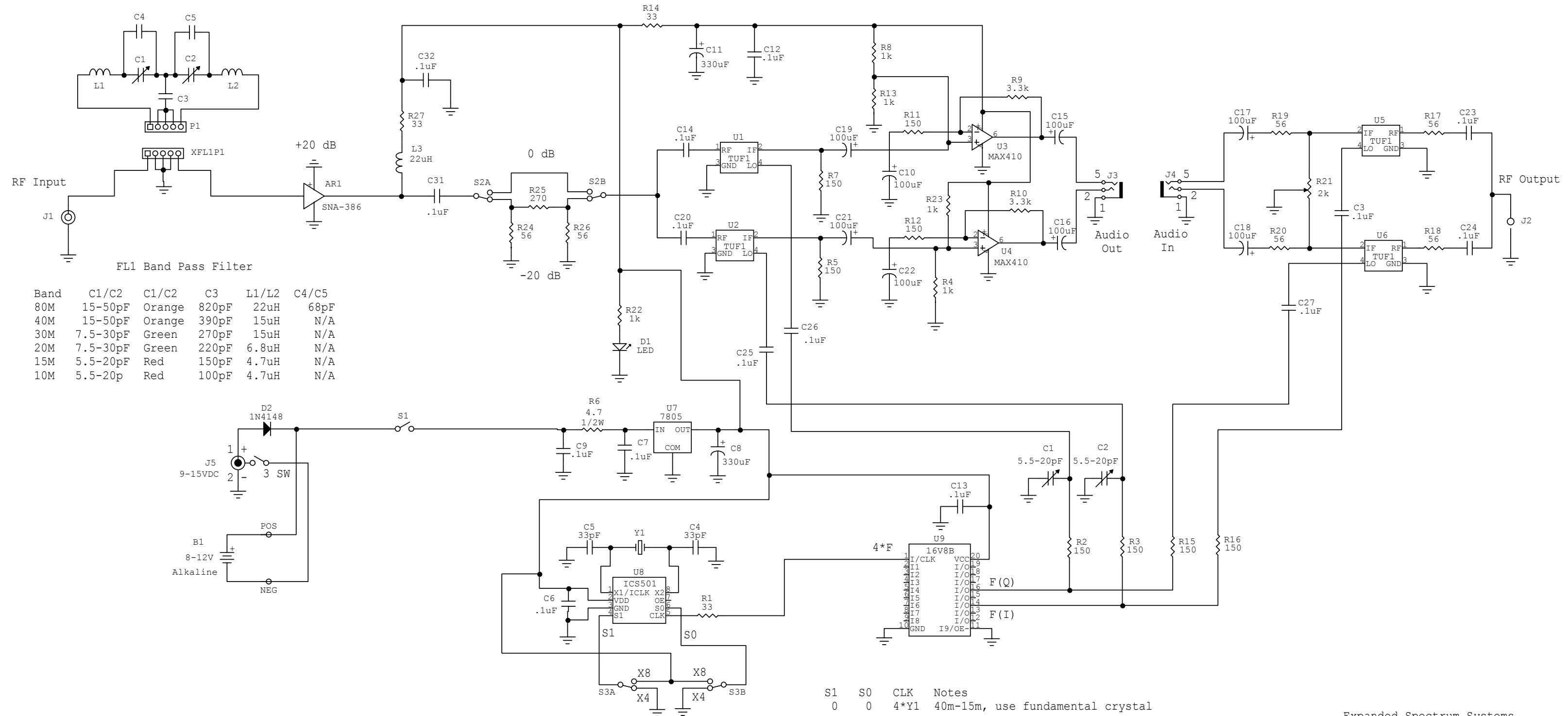


FL1 Band Pass Filter



FL1 Band Pass Filter

Band	C1/C2	C1/C2	C3	L1/L2	C4/C5
80M	15-50pF	Orange	820pF	22uH	68pF
40M	15-50pF	Orange	390pF	15uH	N/A
30M	7.5-30pF	Green	270pF	15uH	N/A
20M	7.5-30pF	Green	220pF	6.8uH	N/A
15M	5.5-20pF	Red	150pF	4.7uH	N/A
10M	5.5-20p	Red	100pF	4.7uH	N/A



U8, ICS501 S0, S1 pin inputs:
 0 = Switch to GND
 M = Switch between positions
 or not installed
 1 = Switch to +5V

S1	S0	CLK	Notes
0	0	4*Y1	40m-15m, use fundamental crystal
M	M	2*Y1	80m, use 40m crystal
1	1	8*Y1	20m, use 40m crystal
1	1	8*Y1	10m, use 20m crystal

Expanded Spectrum Systems
 Time Machine TM1
 WCC 8/6/02